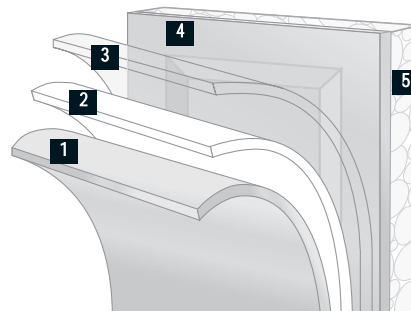




16' x 7' BuildMark SI, Colonial in White with Plain Colonial Windows

Defined raised panel styling combines with an authentic woodgrain texture to give your garage door curb appeal with BuildMark S and SI garage doors. The clean lines of colonial or ranch panels add charm in an economically priced pan or insulated door.



- 1** Baked-on Finish
- 2** Epoxy Primer
- 3** Galvanized Layer
- 4** High-Strength Steel
- 5** Polystyrene Insulation (SI Only)

BuildMark S™ and SI™ sections are constructed from high-strength, rust-resistant galvanized steel and are coated with a baked-on polyester paint finish for extended life. BuildMark SI™ sections include a layer of polystyrene insulation for additional thermal-efficiency.

WARRANTY:

Sections*: Limited Lifetime (Rust-Through) — Hardware/Springs: 1-year

*See full warranty details, available at www.raynor.com

www.RAYNOR.com

Hardware



Track formed from strong galvanized steel, paired with durable, long-wearing steel rollers ensures smooth, quiet operation.

Insulation



An energy-saving core of polystyrene insulation provides added comfort and helps keep your garage quieter.

Section Joints



Strong, roll-formed tongue-and-groove meeting rails seal out wind, rain, and snow, keeping your garage dry and secure.

Authentic Woodgrain



Authentic wood-grain texture on the door's exterior adds visual appeal.

Carriage House Panel Option



The Carriage House panel option is available in widths of 8', 9', 10', 16' and 18' and in white, claytone or almond. Add character to your door with attractive decorative face hardware in either Bean or Fleur-de-lis handles or straps.

Decorative Hardware

The black matte powdercoated straps and handles are designed to appear hand-forged, adding a historically-accurate dimensional quality to your door. Choose from handles and straps with Bean or Fleur-de-lis designs.



Bean Handles



Bean Strap



Fleur-de-lis Handles



Fleur-de-lis Strap

Sizes

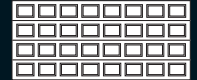
Heights: 6'6", 7', 8'
Widths: 6', 8', 9', 10', 12', 15', 16', 18'

Carriage House
Heights: 6'6", 7', 8'
Widths: 8', 9', 10', 16', 18'

Panel Styles*



1-Car Colonial



2-Car Colonial



1-Car Colonial



2-Car Ranch



1-Car Carriage House



2-Car Carriage House

*1-car doors shown in 8' x 7' configuration.
2-car doors shown in 16' x 7' configuration.

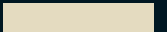
Colors



White



ClayTone

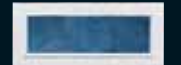


Almond

Snap-In Window Styles*



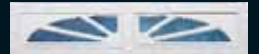
Plain Colonial



Plain Ranch



Sunburst Colonial



Sunburst Ranch



Stockton Colonial



Stockton Ranch



Cascade Colonial



Cascade Ranch



Sherwood Colonial

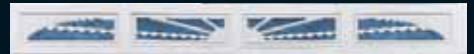


Cathedral Colonial



Arched Stockton Ranch

Not available in colonial panel options.



Sunray Ranch*

*Not all styles are available in all door sizes. Check for availability.

*Windows are shown in single-car configurations, with the exception of Sunray Ranch.

800-4-RAYNOR (472-9667)
www.raynor.com

P.O. Box 448, 1101 East River Road • Dixon, IL 61021-0448